



# INSTALLATION INSTRUCTIONS FOR Part 15673-221B GL1500 Cornering Light Kit

Page 1 of 2

Read instructions thoroughly before installing.

1. Place bike on center stand.
2. Remove the Fairing Front Cover.
  - a. Disengage the bosses from the fairing panel covers, Fig 2A, and pull outward on the fairing front cover Figure 1A.
  - b. Using a flat blade screw driver, pry off the left/right plastic upper side trim pieces, Fig 2B. Each side has one large and one small trim piece to be removed.
  - c. Using the a flat blade screw driver, pry off the screw cover, Fig 2C from the left/right lower fairing corner molding trim, Fig 2D.
  - d. Using a #2 Phillips screw driver, remove the screw, Fig 2E, from the left/right fairing corner molding trim pieces, Fig 2D.
  - e. Using a #2 Phillips screw driver, remove the 3 crews, Fig 2F from the left/right fairing panel covers, Fig 2A.
  - f. Remove the left and right panel covers, Fig 2A.

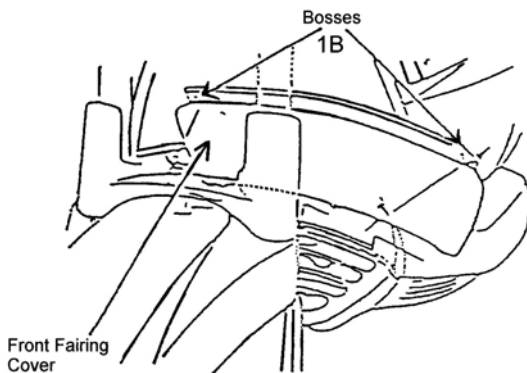


Figure 1

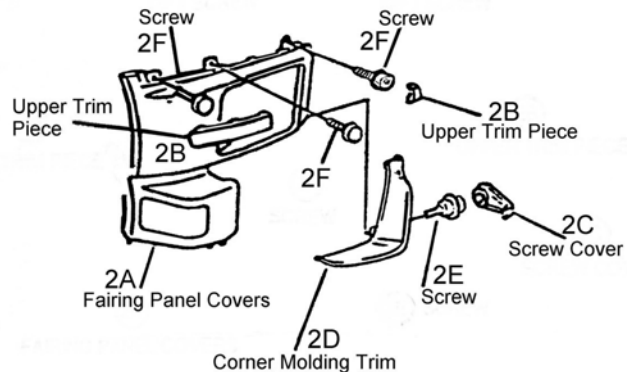


Figure 2

3. Cut out the left and right knock out panels, Fig 3A, with a hacksaw blade, using the molded slots, Fig 3B, as the outline. Smooth the cut edges with a flat file, Fig 4, flush with the opening.

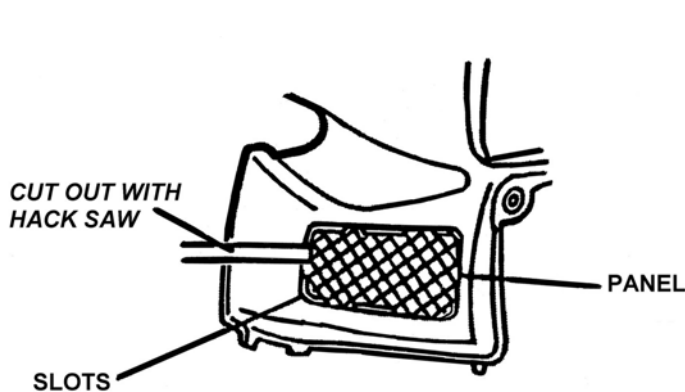


Figure 3

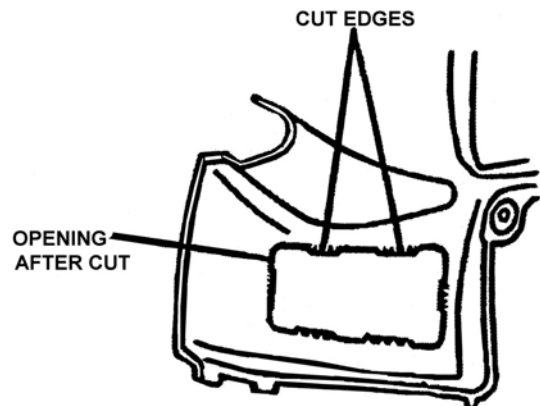


Figure 4

# Installation Instructions for Part 15673-221B GL1500 Cornering Light Kit

Continued Page 2 of 2

- Press the rubber molding onto the edges of the opening, starting at the bottom center and working it all the way around the opening. Be careful not to stretch the molding length. Trim the excess length off to match it squarely with the opposite end. Fig 5.
- Carefully, pull the inside edge of the molding away from the left/right covers. Apply a very small amount of liquid adhesive between the molding and inside edge of the opening. CAUTION: Do not get adhesive on your fingers.

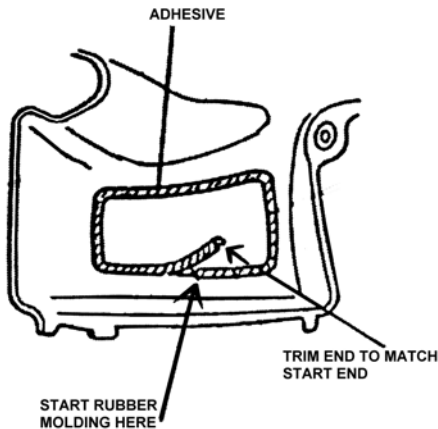


Figure 5

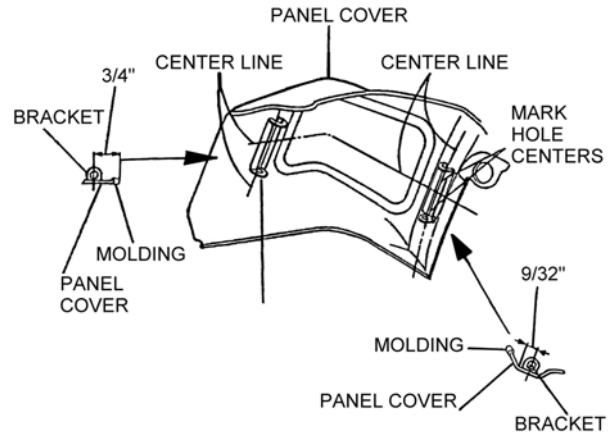


Figure 6

- Position the brackets on either side of the left/right light openings and mark the four mounting holes on the inside of the fairing panels covers, Fig 6. Center punch the hole centers with a hammer and carefully drill the four holes using a 3/16" drill bit and electric drill.
- Using a #2 Phillips screw driver, install the left/right brackets with the 4mm x 10mm truss head machine screws, Fig 7.
- Install the left/right lights into the fairing side covers by slipping the plastic tubes over the springs and hooking the springs onto the bracket ends in a cross over fashion. Fig 7.
- Mount the left/right relay to the frame using the wire bands which are passed through the rubber loop on the relay. Fig 8.
- Connect the left/right 4 pin turn signal leads to the relay and the left and right 2 pin to the light plug. Fig 8.
- Test the lights. Turn the ignition switch on and operate both turn signals. The light on the side of the operation turn signal should come on and stay on while the signal is blinking.
- Reinstall all parts in reverse order and check tightness and fit.

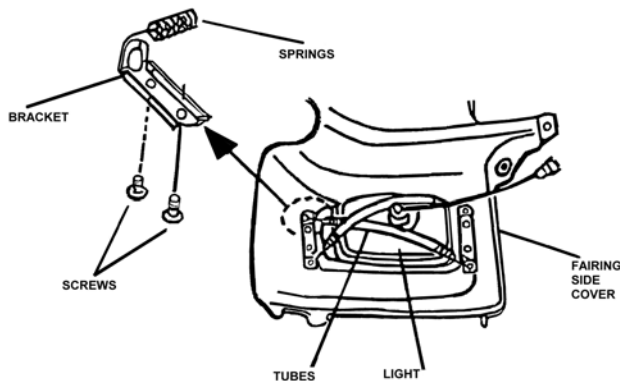


Figure 7

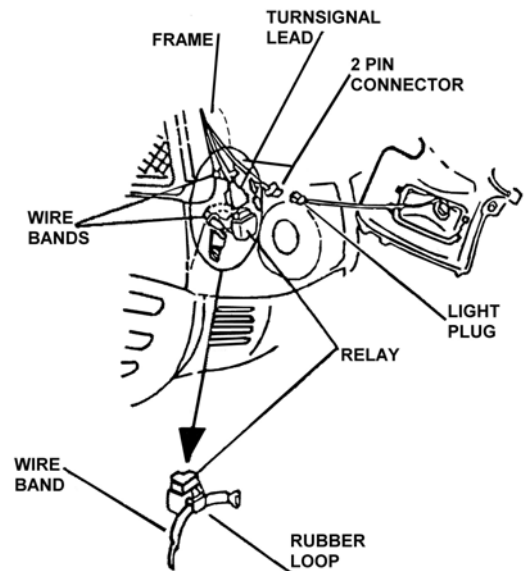


Figure 8