

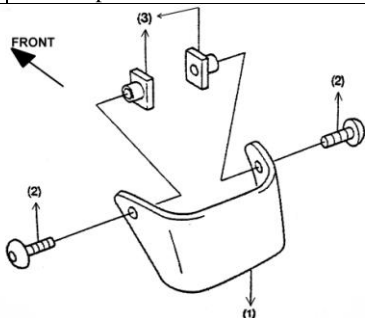


## MOUNTING INSTRUCTIONS FOR Part 45-1204 (Non-Airbag Models) GL1800 CHROME FRONT FENDER

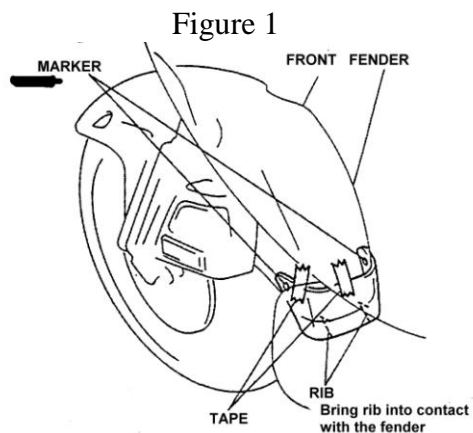
**Read instructions thoroughly before installing.**

### Parts List

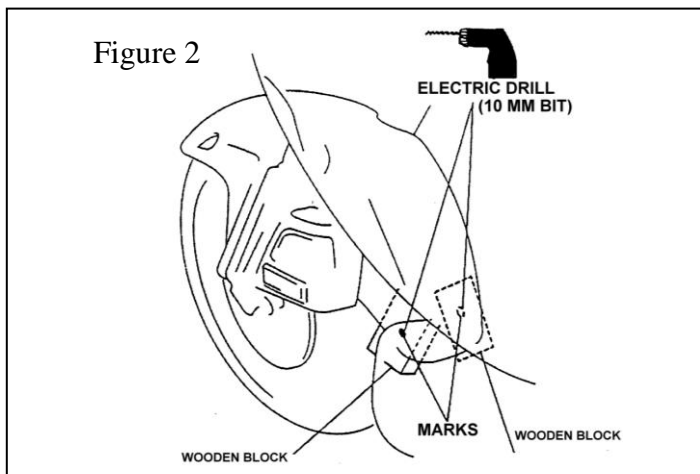
No.	Description	Qty
(1)	Front Fender Extension	1
(2)	6 mm Special Bolt	2
(3)	6 mm Special Nut	2



1. Position the front fender extension on the fender and mark the two holes for the front fender extension. Figure 1

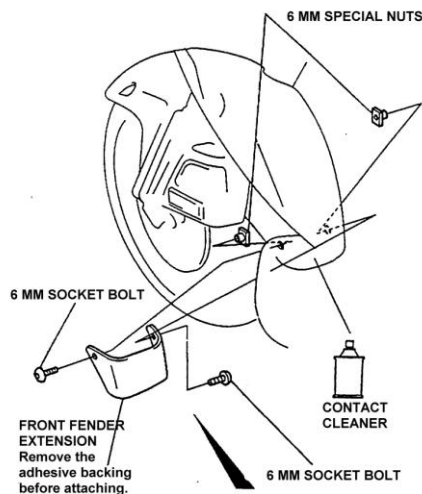


2. Place a wooden block under the front fender and drill a hole through each mark with an electric drill and a 10 mm drill bit. Figure 2

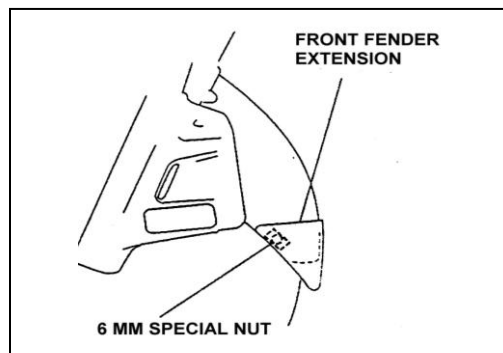


3. Using a contact cleaner, thoroughly clean the area where the front fender extension will be attached. Position the extension on the front fender and secure with the 6 mm socket bolts and special nuts. Figure 3.

Figure 3



Install the 6 mm special nuts so that they do not extend past the front fender as show below.



133 Gold Street, Worcester, MA 01608  
508-791-7552 800-821-9861  
fax 508-793-2919  
Email: [info@addonaccessories.net](mailto:info@addonaccessories.net)