



Installation Instructions

Part 45-1802

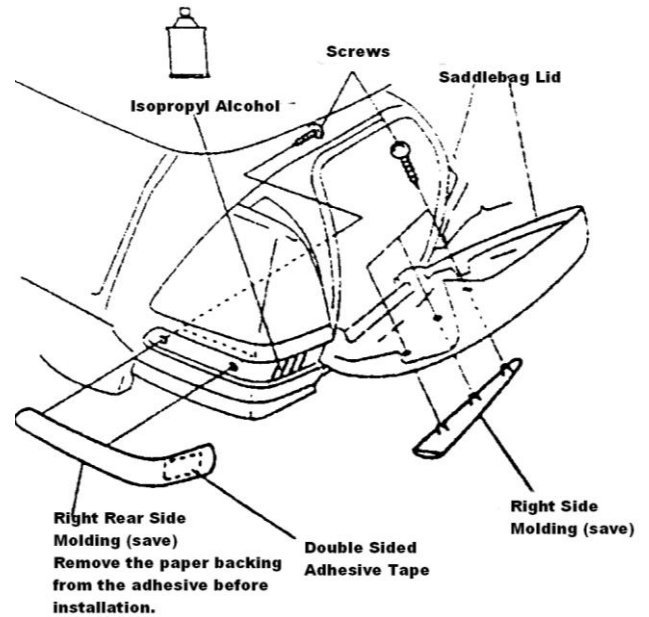
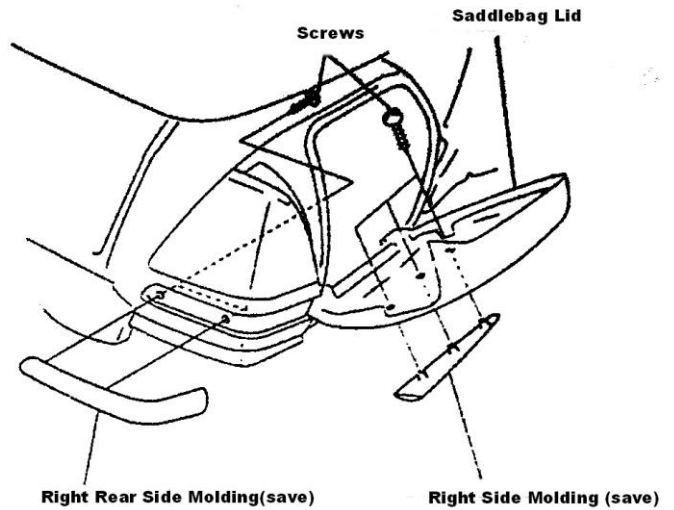
Saddlebag Molding Kit for GL1800

INSTALLATION: Read Instructions Carefully before Installing

1. Open the right saddlebag lid
And remove the original
Right side moldings.

2. Install the right side moldings
From the kit in the reverse
Order of removal

3. Install the left side molding from
The kit in the same manner as the
Right side moldings.



Parts List:

No.	Description	Qty
1	Right Side Molding	1
2	Left Side Molding	1
3	Right Rear Side Molding	1
4	Left Rear Side Molding	1

Tools Required:
Phillips screwdriver

Supplies Required:
50/50 Water/Isopropyl Alcohol Mix
Shop towels

