

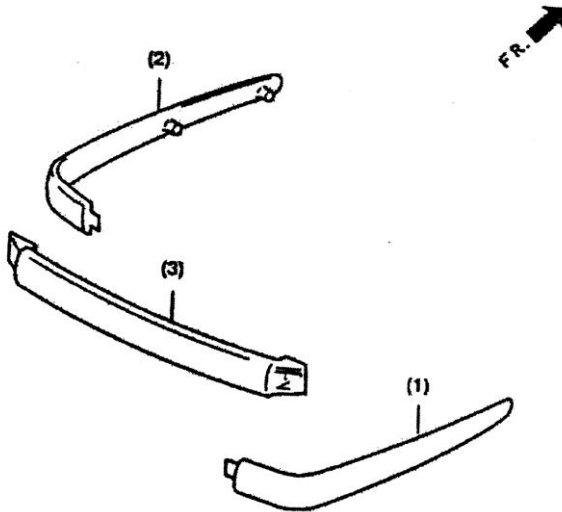


Installation Instructions

Part 45-1803

GL1800 Trunk Molding Kit 2006 to 2010

INSTALLATION: Read Instructions Carefully before Installing



Parts List:

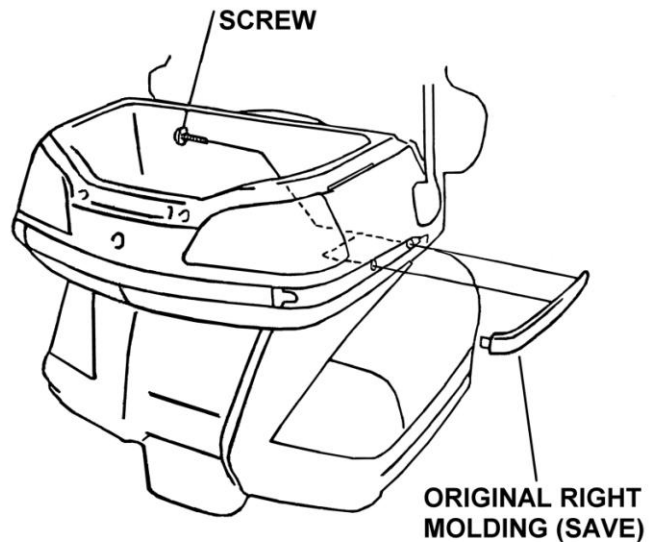
No.	Description	Qty
1	Right Molding	1
2	Left Molding	1
3	Center Molding	1

Tools Required:

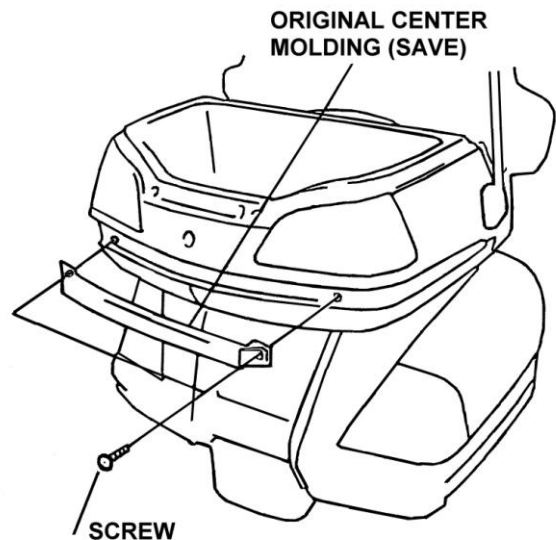
Phillips screwdriver

INSTALLATION

1. Remove the original right molding from the trunk.
2. Remove the original left molding from the trunk.



3. Remove the original center molding from the trunk.



4. Install the right, left and center moldings from the kit on the trunk in the reverse order of removal.