



## INSTRUCTIONS FOR PART 45-1822 GL1800 LED LIGHTED TRUNK HANDLE

Note: Read instructions thoroughly before installing.

1. Place bike on center stand.
2. Cut out the template and tape two parts to form one complete template as shown in figure 1. Use Template on reverse.

Tape the the two parts of the templates together to form one 9 inch long piece.

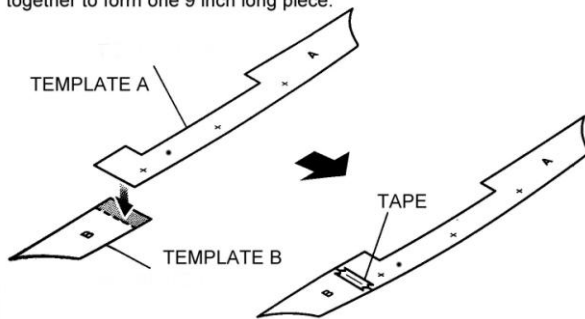


Figure 1

3. Tape template to the rear trunk of the bike as shown in figure 2. Mark bike where holes will be drilled. Three for the screws and one for the wires.

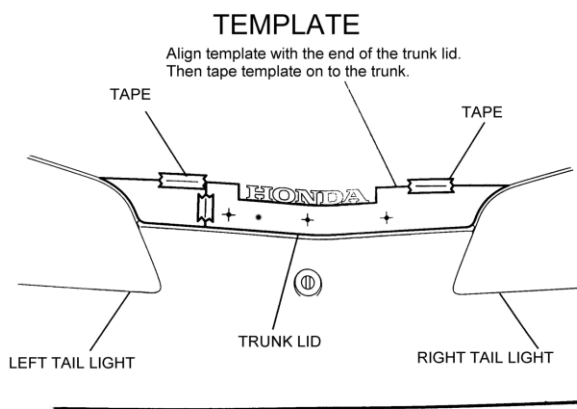


Figure 2

3. Remove template. Drill four pilot holes then gradually enlarge hole to 8mm for each screw. Drill a 1/8 hole for the wires to go through. Remove any burrs from the edge of the holes. Figure 3.

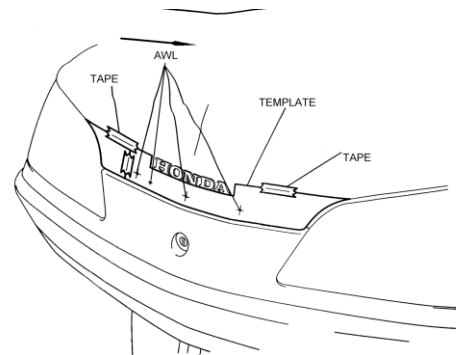


Figure 3

4. Install handle with hardware provided. Run wires through hole and wire trunk handle light into the running or brake lights in the trunk with the red wire going to the positive and the black going to the ground. See Figure 4 below.

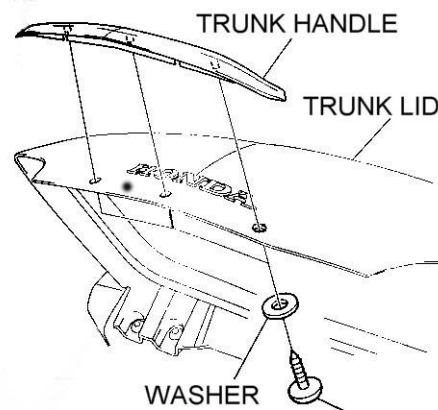


Figure 4

# TEMPLATE

Cut out Section A and Section B.  
Tape together each to form one piece.  
Use as guide to mark drill hole locations.

Add On Accessories, 133 Gold St,  
Worcester, MA 01608  
508-791-7552 800-821-9861  
Fax 508-793-2919  
Email: [info@addonaccessories.net](mailto:info@addonaccessories.net)

